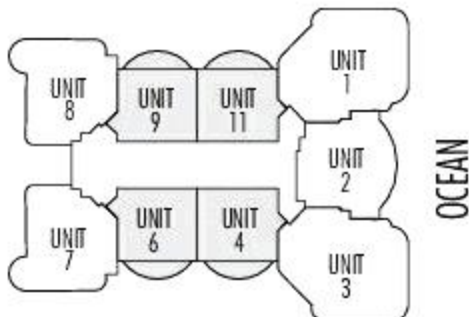
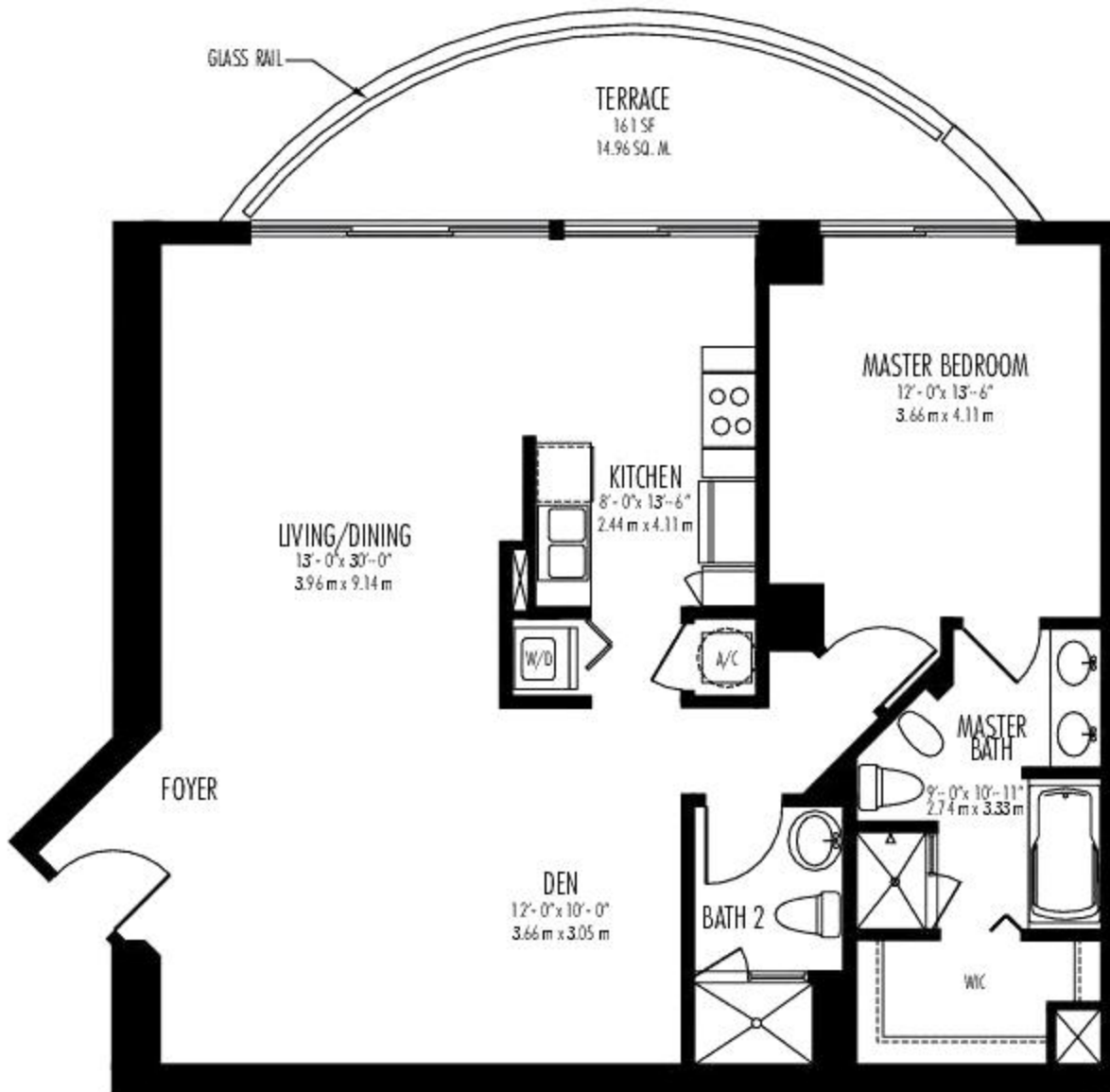


# UNITS 4, 6, 9 & 11

UPPER TYPICAL UNITS 31-45

One Bedroom, Two Bath and Den



**ENCLOSED AREA:** 1,151 Sq. Ft. (106.93 m<sup>2</sup>)

**TERRACE AREA:** 161 Sq. Ft. (14.96 m<sup>2</sup>)

**TOTAL AREA:** 1,312 Sq. Ft. (121.89 m<sup>2</sup>)